



StarClear™ Plus

Cartridge Filter

Owner's Manual



Contents

General Warnings.....	2
General Information.....	4
Filter Location & Plumbing.....	4
Starting Filter.....	5
Winterizing Filter.....	6
Replacement Parts.....	7
Warranty	7
Registration	8

Models: C751, C900, C1200, C17502

IMPORTANT SAFETY INSTRUCTIONS

NOTA: Versión de idioma español comienza en la página 9

Basic safety precautions should always be followed, including the following: Failure to follow instructions can cause severe injury and/or death.

- ▲ This is the safety-alert symbol. When you see this symbol on your equipment or in this manual, look for one of the following signal words and be alert to the potential for personal injury.
- ▲ **WARNING** warns about hazards that **could** cause serious personal injury, death or major property damage and if ignored presents a potential hazard.
- ▲ **CAUTION** warns about hazards that **will** or **can** cause minor or moderate personal injury and/or property damage and if ignored presents a potential hazard. It can also make consumers aware of actions that are unpredictable and unsafe.

The **NOTICE** label indicates special instructions that are important but not related to hazards.

Hayward Pool Products
620 Division Street, Elizabeth, NJ 07207
Phone: (908) 355-7995
www.hayward.com



▲ WARNING - Read and follow all instructions in this owner's manual and on the equipment. Failure to follow instructions can cause severe injury and/or death.

▲ WARNING – Suction Entrapment Hazard.

Suction in suction outlets and/or suction outlet covers which are, damaged, broken, cracked, missing, or unsecured can cause severe injury and/or death due to the following entrapment hazards:

Hair Entrapment- Hair can become entangled in suction outlet cover.

Limb Entrapment- A limb inserted into an opening of a suction outlet sump or suction outlet cover that is damaged, broken, cracked, missing, or not securely attached can result in a mechanical bind or swelling of the limb.

Body Suction Entrapment- A negative pressure applied to a large portion of the body or limbs can result in an entrapment.

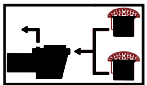
Evisceration/ Disembowelment - A negative pressure applied directly to the intestines through an unprotected suction outlet sump or suction outlet cover which is, damaged, broken, cracked, missing, or unsecured can result in evisceration/ disembowelment.

Mechanical Entrapment- There is potential for jewelry, swimsuit, hair decorations, finger, toe or knuckle to be caught in an opening of a suction outlet cover resulting in mechanical entrapment.



▲ WARNING - To Reduce the risk of Entrapment Hazards:

- o When outlets are small enough to be blocked by a person, a minimum of two functioning suction outlets per pump must be installed. Suction outlets in the same plane (i.e. floor or wall), must be installed a minimum of three feet (3') [1 meter] apart, as measured from near point to near point.
- o Dual suction fittings shall be placed in such locations and distances to avoid “dual blockage” by a user.
- o Dual suction fittings shall not be located on seating areas or on the backrest for such seating areas.
- o The maximum system flow rate shall not exceed the flow rating of as listed on Table 1.
- o Never use Pool or Spa if any suction outlet component is damaged, broken, cracked, missing, or not securely attached.
- o Replace damaged, broken, cracked, missing, or not securely attached suction outlet components immediately.
- o In addition two or more suction outlets per pump installed in accordance with latest ASME, APSP Standards and CPSC guidelines, follow all National, State, and Local codes applicable.
- o Installation of a vacuum release or vent system, which relieves entrapping suction, is recommended.



▲ WARNING – Failure to remove pressure test plugs and/or plugs used in winterization of the pool/spa from the suction outlets can result in an increase potential for suction entrapment as described above.

▲ WARNING – Failure to keep suction outlet components clear of debris, such as leaves, dirt, hair, paper and other material can result in an increase potential for suction entrapment as described above.

▲ WARNING – Suction outlet components have a finite life, the cover/grate should be inspected frequently and replaced at least every seven years or if found to be damaged, broken, cracked, missing, or not securely attached.

▲ CAUTION – Components such as the filtration system, pumps and heater must be positioned so as to prevent their being used as means of access to the pool by young children. To reduce risk of injury, do not permit children to use or climb on this product. Closely supervise children at all times. Components such as the filtration system, pumps, and heaters must be positioned to prevent children from using them as a means of access to the pool.



▲ WARNING – Hazardous Pressure. Pool and spa water circulation systems operate under hazardous pressure during start up, normal operation, and after pump shut off. Stand clear of circulation system equipment during pump start up. Failure to follow safety and operation instructions could result in violent separation of the pump housing and cover, and/or filter housing and clamp due to pressure in the system, which could cause property damage, severe personal injury, or death. Before servicing pool and spa water circulation system, all system and pump controls must be in off position and filter manual air relief valve must be in open position. Before starting system pump, all system valves must be set in a position to allow system water to return back to the pool. Do not change filter control valve position while system pump is running. Before starting system pump, fully open filter manual air relief valve. Do not close filter manual air relief valve until a steady stream of water (not air or air and water) is discharged.



▲ WARNING – Separation Hazard. Failure to follow safety and operation instructions could result in violent separation of pump and/or filter components. Strainer cover must be properly secured to pump housing with strainer cover lock ring. Before servicing pool and spa circulation system, filters manual air relief valve must be in open position. Do not operate pool and spa circulation system if a system component is not assembled properly, damaged, or missing. Do not operate pool and spa circulation system unless filter manual air relief valve body is in locked position in filter upper body. **Never operate or test the circulation system at more than 50 PSI. Do not purge the system with compressed air.** Purging the system with compressed air can cause components to explode, with risk of severe injury or death to anyone nearby. Use only a low pressure (below 5 PSI), high volume blower when air purging the pump, filter, or piping.



HAYWARD®



▲ WARNING – Risk of Electric Shock. All electrical wiring MUST be in conformance with applicable local codes, regulations, and the National Electric Code (NEC). Hazardous voltage can shock, burn, and cause death or serious property damage. To reduce the risk of electric shock, do NOT use an extension cord to connect unit to electric supply. Provide a properly located electrical receptacle. Before working on any electrical equipment, turn off power supply to the equipment. To reduce the risk of electric shock replace damaged wiring immediately. Locate conduit to prevent abuse from lawn mowers, hedge trimmers and other equipment. Do NOT ground to a gas supply line.

▲ WARNING – Risk of Electric Shock Failure to ground all electrical equipment can cause serious or fatal electrical shock hazard. Electrical ground all electrical equipment before connecting to electrical power supply.

▲ WARNING – Risk of Electric Shock Failure to bond all electrical equipment to pool structure will increase risk for electrocution and could result in injury or death. To reduce the risk of electric shock, see installation instructions and consult a professional electrician on how to bond all electrical equipment. Also, contact a licensed electrician for information on local electrical codes for bonding requirements.

Notes to electrician: Use a solid copper conductor, size 8 or larger. Run a continuous wire from external bonding lug to reinforcing rod or mesh. Connect a No. 8 AWG (8.4 mm²) [No. 6 AWG (13.3 mm²) for Canada] solid copper bonding wire to the pressure wire connector provided on the electrical equipment and to all metal parts of swimming pool, spa, or hot tub, and metal piping (except gas piping), and conduit within 5 ft. (1.5 m) of inside walls of swimming pool, spa, or hot tub.

IMPORTANT - Reference NEC codes for all wiring standards including, but not limited to, grounding, bonding and other general wiring procedures.

▲ WARNING – Risk of Electric Shock . The electrical equipment must be connected only to a supply circuit that is protected by a ground-fault circuit-interrupter (GFCI). Such a GFCI should be provided by the installer and should be tested on a routine basis. To test the GFCI, push the test button. The GFCI should interrupt power. Push reset button. Power should be restored. If the GFCI fails to operate in this manner, the GFCI is defective. If the GFCI interrupts power to the electrical equipment without the test button being pushed, a ground current is flowing, indicating the possibility of an electrical shock. Do not use this electrical equipment. Disconnect the electrical equipment and have the problem corrected by a qualified service representative before using.

▲ CAUTION – HAYWARD® pumps are intended for use with permanently-installed pools and may be used with hot tubs and spas if so marked. Do not use with storable pools. A permanently-installed pool is constructed in or on the ground or in a building such that it cannot be readily disassembled for storage. A storable pool is constructed so that it is capable of being readily disassembled for storage and reassembled to its original integrity.

▲ WARNING – Risk of Hyperthermia. To avoid hyperthermia the following “Safety Rules for Hot Tubs” are recommended by the U.S. Consumer Product Safety Commission.

1. Spa or hot tub water temperatures should never exceed 104°F [40°C]. A temperature of 100°F [38°C] is considered safe for a healthy adult. Special caution is suggested for young children. Prolonged immersion in hot water can induce hyperthermia.
2. Drinking of alcoholic beverages before or during spa or hot tub use can cause drowsiness, which could lead to unconsciousness and subsequently result in drowning.
3. Pregnant women beware! Soaking in water above 100°F [38°C] can cause fetal damage during the first three months of pregnancy (resulting in the birth of a brain-damaged or deformed child). Pregnant women should adhere to the 100°F [38°C] maximum rule.
4. Before entering the spa or hot tub, users should check the water temperature with an accurate thermometer; spa or hot tub thermostats may err in regulating water temperatures by as much as 4°F (2.2°C).
5. Persons taking medications, which induce drowsiness, such as tranquilizers, antihistamines or anti-coagulants, should not use spas or hot tubs.
6. If the pool/spa is used for therapy, it should be done with the advice of a physician. Always stir pool/ spa water before entering the pool/spa to mix in any hot surface layer of water that might exceed healthful temperature limits and cause injury. Do not tamper with controls, because scalding can result if safety controls are not in proper working order.
7. Persons with a medical history of heart disease, circulatory problems, diabetes or blood pressure problems should obtain a physician’s advice before using spas or hot tubs.
8. Hyperthermia occurs when the internal temperature of the body reaches a level several degrees above normal body temperature of 98.6°F [37°C]. The symptoms of Hyperthermia include: drowsiness, lethargy, dizziness, fainting, and an increase in the internal temperature of the body.

The effects of Hyperthermia include:

1. Unawareness of impending danger.
2. Failure to perceive heat.
3. Failure to recognize the need to leave the spa.
4. Physical inability to exit the spa.
5. Fetal damage in pregnant women.
6. Unconsciousness resulting in danger of drowning.

SAVE THESE INSTRUCTIONS

**ATTENTION INSTALLER: THIS MANUAL CONTAINS IMPORTANT INFORMATION ON THE OPERATION,
AND SAFE USE OF THIS EQUIPMENT.
THIS MANUAL IS INTENDED FOR THE END USER OF THIS PRODUCT**



GENERAL INFORMATION

The Hayward StarClear™ Plus filter is a high performance swimming pool filter with a residential filtration rating of 4,500 gallons (17 kl) per hour (C751), 5,400 gallons (20.5 kl) per hour (C900), or 7,200 gallons (27.3 kl) per hour (C1200, and C17502). Manufactured from durable, corrosion-proof materials, they are designed for continuous or intermittent operation, for installation above or below the pool water line, for fresh or saltwater swimming pools or spas. StarClear Plus filters utilize a reusable single element, reinforced polyester filter cartridge to provide a high degree of water clarity with minimum care. Their unique design is such that no tools are needed to remove or replace the cartridge in the filter assembly. Simply spin off the locking knob, lift off the filter cover and remove the cartridge. It's that easy.

PUMP SELECTION AND LOCATION

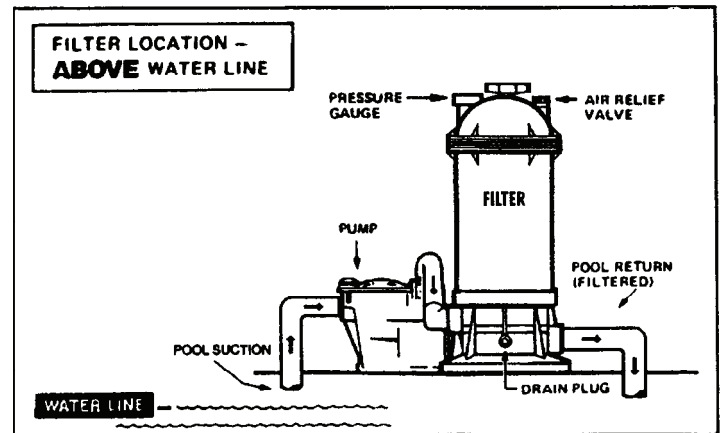
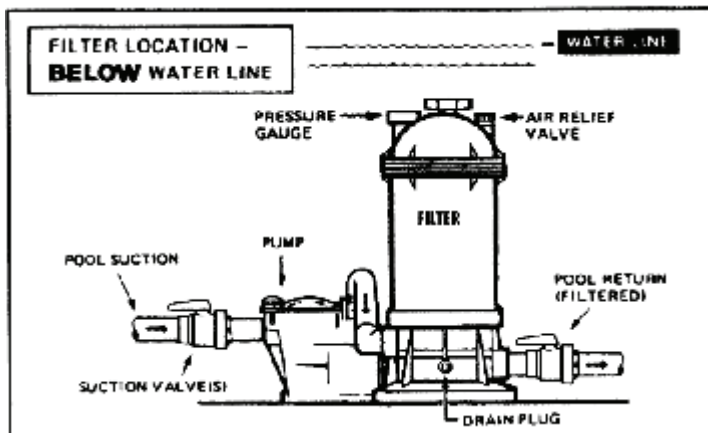
To power your StarClear Plus filter, select a continuous duty pump designed for swimming pool or spa service.

It is important to first determine where your pump and filter will be located. If above the water line, a self-priming pump must be used. Self-priming pumps such as Hayward's Super Pump®, Super II™, or TriStar™ have the ability to lift water from a lower level and prime automatically.

Select a pump appropriate for your application. Take into consideration, operation of hydrotherapy fittings, automatic cleaners, required turnover rates and losses in the system. A dealer can help you select the proper size pump for your system.

FILTER LOCATION

1. Since plumbing fittings offer a resistance to water flow, position the filter as close to the swimming pool as local codes allow. Keep the number of fittings to a minimum. Select a well-drained area, one that will not flood when it rains.
2. Set the filter on a solid level surface. Allow a minimum top clearance for cartridge removal of 19" (483mm) for the C751 and C900, 25" (635mm) for the C1200, and allow 30" (762mm) for the C17502. Be sure the filter, pump, drain & pressure gauge are accessible for convenient operation. **(Please: See Chart on Following Page)**
3. Position the filter so the tank can drain by gravity.
4. If practical, place pump and filter in the shade to shield it from continuous, direct heat from the sun.



PLUMBING

1. Choose and use 1-1/2" or 2" piping. When making permanent connections, be sure to provide unions for easy servicing.
2. Refer to the diagrams above for basic suggested placement of valves. Ball valves are recommended where needed. While systems vary, the main consideration is to provide the desired control of water flow from the pool to the pump and filter, and back to the pool. When the filter is located below water level, provide valves to prevent back flow of water to the filter during cleaning and routine servicing.
3. Plumbing on the StarClear Plus filter is 1-1/2", or 2" N.P.T., or socket (solvent weld). When making threaded connections to the filter use plastic adapters. Apply three turns of Teflon tape (or use special plastic pipe sealant) to male threads. Screw the fitting into the thread hand tight; then using a wrench, tighten one more full turn. Additional tightening is unnecessary and could result in a broken or a damaged filter.
4. Connect the pool suction plumbing between the skimmer, pool outlet, etc. and the pump.
5. Install the pool return plumbing.
6. If the pressure gauge is not installed, apply three wraps of Teflon tape to the gauge threads, and *carefully* screw the gauge into the threaded hole in the filter head.
7. A filter drain plug is furnished with each filter and is all that is needed for complete filter draining. A manual air relief valve is furnished to aid in bleeding off unwanted air when starting the filter. An internal auto air relief system in the filter removes air when the pump is in operation.
8. All electrical connections should be made in accordance with local codes.
9. Check for joint leaks when first operating the system.
10. Refer to pump instruction booklet for pump information.



STARTING THE FILTER

Be sure filter drain plug is installed and closed. Open manual air relief valve a few turns and open the suction and return valves (when used).

▲ CAUTION: All suction and discharge valves must be open when starting the system. Failure to do so could cause severe personal injury and/or property damage. Be sure locking knob is secure (hand tighten-only slight pressure is required).

Stand clear of the filter. Prime and start the pump, following the manufacturer's instructions. Air trapped in the system will automatically vent to the pool and out air relief valve. Close air relief valve as soon as air is vented, as indicated by water flow.

FILTERING

Filtration starts as soon as flow is steady through the filter. As the filter cartridge removes dirt from the pool water, the accumulated dirt causes a resistance to flow. As a result, the gauge pressure will rise and the flow will decrease. When the pressure rises 7-10 psi (.49-.70 Bar) above the starting pressure, or when flow decreases below desired rate, clean or replace the filter cartridge.

CLEAN / REPLACE CARTRIDGE

REMOVING CARTRIDGE ELEMENT

1. Shut off the pump.
2. If filter is located below water level, close valves or block off suction & discharge lines to prevent backflow of water from the pool.
3. Remove drain plug and allow water to drain from filter. Close drain plug. (To assist draining process; open air vent a few turns.)
4. Unscrew and remove locking knob (counterclockwise direction) and carefully lift off top cover to gain access to filter cartridge.
5. Lift out cartridge and clean. Or, replace with clean, spare cartridge. (See Cleaning Cartridge.)

REINSTALLING CARTRIDGE ELEMENT

1. Clean any collected debris from the bottom of filter body.
2. Carefully replace cartridge element over tie rod and into filter body ensuring that the cartridge sits evenly on the collector hub in bottom of filter body.
3. Place cover on filter body (being sure filter head o-ring is in place and clean). Fit tie rod end through center hole.
4. Tighten locking knob in clockwise direction. (Hand tight only.)
5. Proceed as in **STARTING THE FILTER.**

CLEANING CARTRIDGE

The cartridge filter element can be cleaned by washing inside and out with a garden hose. (The cartridge is easier to clean when dry.) After hosing the cartridge, for best results, allow cartridge to dry and carefully brush pleated surface areas to remove fine particles. **Do not pressure wash, as it can damage the filter element.**

Algae, suntan oil and body oils can form a coating on the cartridge pleats which may not be thoroughly removed by hosing. To remove such materials, soak the cartridge in a solution of filter element cleaner (various brands available at pool dealer). Follow manufacturer's directions for use, paying close attention to any Warnings on the package. Rinse the element thoroughly with water from a garden hose before reinstalling in the filter.

A spare cartridge filter element is an excellent investment. It provides convenience and ensures that your filter will always be ready to operate at peak efficiency.

1. Hayward cartridges are specially designed and engineered for use in StarClear Plus filters. **For best results, use only genuine Hayward StarClear cartridges in your filter.** Order *Model No. CX760RE, CX900RE, CX1200RE, or CX1750RE*, from your dealer. The Hayward name is your guarantee of quality.

VACUUMING

Vacuuming can be performed directly into the filter whenever needed. Clean cartridge after vacuuming, if required.

	REQUIRED CLEARANCE			
	SIDE		ABOVE	
	IN	CM	IN	CM
C751	18	46	19	48
C900	18	46	19	48
C1200(2) (S)	18	46	25	64
C17502(S)	18	46	30	76



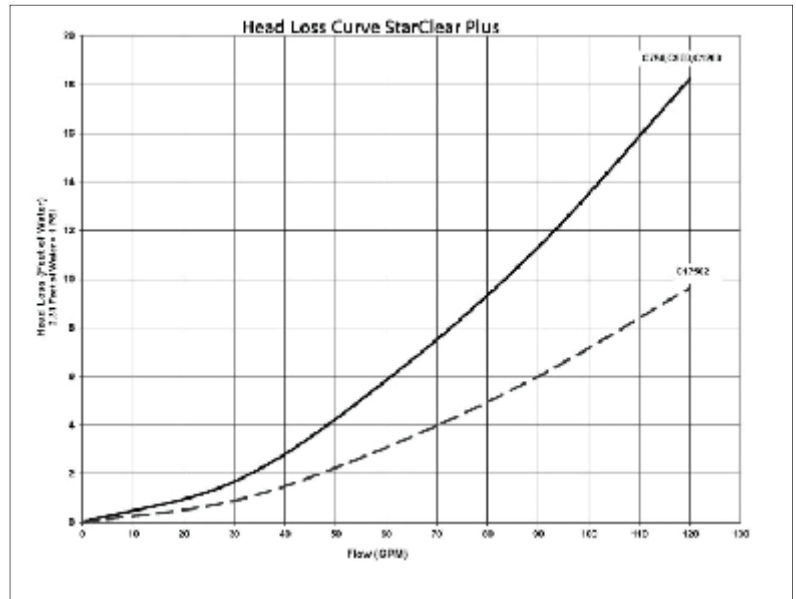
WINTERIZING (Filter)

In areas where sub-freezing temperatures can be expected, the filter should be fully drained and/or removed from its operating location and stored indoors. Remove and clean cartridge. Reinstall cartridge in filter tank. Tighten locking knob only a few turns when storing.

SERVICE AND REPAIRS

Consult your local authorized Hayward dealer or service center. No returns may be made directly to the factory without the expressed written authorization of Hayward Pool Products.

SUGGESTED POOL CHEMISTRY LEVELS	
pH	7.2 to 7.8
TOTAL ALKALINITY	80 to 120 ppm
CALCIUM HARDNESS	200 to 400 ppm
COMBINED CHLORINE	.2 ppm Maximum
CHLORINE (STABILIZED)	1.0 to 3.0 ppm
CHLORINE STABILIZER (Cyanuric Acid)	60 to 80 ppm



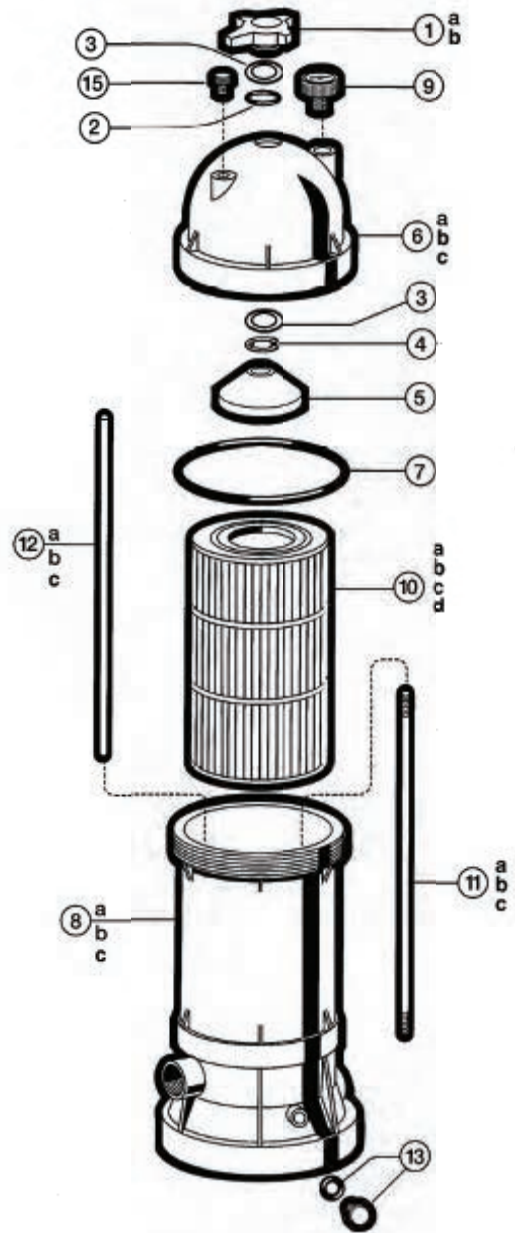
PROBLEM SOLVING LIST			
REMEDY	LOW WATER FLOW	SHORT FILTER CYCLES	POOL WATER WON'T CLEAR UP
	Check skimmer and pump, strainer baskets for debris.	Check for algae in pool and treat as required.	Check chlorine, pH and total alkalinity levels and adjust as required.
	Check for restrictions in intake and discharge lines.	Be sure chlorine and pH levels are in proper range (adjust as required).	Be sure flow rate through filter is sufficient.
	Check for air leak in intake line (indicated by bubbles returning to pool).		Operate filter for longer periods.
	Clean Filter Cartridges (see Page 5)		

MODEL	EFFECTIVE FILTRATION AREA		DESIGN FLOW RATE RESIDENTIAL	
	FT ²	M ²	GPM	LPM
C751	75	7.0	75	284
C900	90	8.4	90	341
C1200(2)(S)	120	11.1	120	454
C17502(S)	175	16.3	120	454
Maximum Working Pressure for all Models 50 PSI, (3.45 Bar)				

PARTS

Models C751, C900(2)(S), C1200(2)(S), and C1750(2)(S) Filters

REF NO.	PART NO.	DESCRIPTION	NO. REQ'D.
1a	CX900G	Locking Knob	1
1b	CX1750G	Locking Knob	1
2	CX900H	O-Ring	1
3	CX900W	Washer	2
4	CX900J	E-Ring	1
5	CX900D	Guide Cone	1
6a	CX900B	Filter Head w/Directional Vent	1
6b	CX1200B	Filter Head w/Directional Vent	1
6c	CX1750B	Filter Head w/Directional Vent	1
7	CX900F	Filter Head O-Ring	1
8a	CX900AA	Filter Body-C751,C900)	1
8b	CX1200AA	Filter Body-C1200)	1
8c	CX1750AA2	Filter Body-C1750(2)	1
9	ECX2712B1	Pressure Gauge	1
10a	CX760RE	Cartridge Element (C751)	1
10b	CX900RE	Cartridge Element (C900)	1
10c	CX1200RE	Cartridge Element (C1200)	1
10d	CX1750RE	Cartridge Element (C1750)	1
11a	CX800Z2	Tie Rod (C900)	1
11b	CX1100Z2	Tie Rod (C1200)	1
11c	CX1750Z2	Tie Rod (C1750)	1
12a	CX800Z4	Auto Air Relief Tube (C900)	1
12b	CX1100Z4	Auto Air Relief Tube (C1200)	1
12c	CX1750Z4	Auto Air Relief Tube (C1750)	1
13	CX250Z14A	1/2" Drain Plug with O-Ring	1
14	CX900K	2" PVC Socket Connector Set of 2 (Not Shown)	2
15	ECX1322A	Directional Vent Valve w/O-Ring	1



HAYWARD® Pool Products Limited Warranty

To original purchasers of this equipment, Hayward Pool Products, Inc. warrants its filters to be free from defects in materials and workmanship for a period of ONE (1) year from the date of purchase, when used in single family residential applications.

The limited warranty excludes damage from freezing, negligence, improper installation, improper use or care or any Acts of God. Parts that fail or become defective during the warranty period shall be repaired or replaced, at our option, within 90 days of the receipt of defective product, barring unforeseen delays, without charge.

Proof of purchase is required for warranty service. In the event proof of purchase is not available, the manufacturing date of the product will be the sole determination of the purchase date.

To obtain warranty service, please contact the place of purchase or the nearest Hayward Authorized Service Center. For assistance on your nearest Hayward Authorized Service Center please visit us at www.hayward.com.

Hayward shall not be responsible for cartage, removal, repair or installation labor or any other such costs incurred in obtaining warranty replacements or repair.

The Hayward Pool products warranty does not apply to components manufactured by others. For such products, the warranty established by the respective manufacturer will apply.

The express limited warranty above constitutes the entire warranty of Hayward Pool Products with respect to its' pool products and is in lieu of all other warranties expressed or implied, including warranties of merchantability or fitness for a particular purpose. In no event shall Hayward Pool products be responsible for any consequential, special or incidental damages of any nature.

Some states do not allow a limitation on how long an implied warranty lasts, or the exclusion of incidental or consequential damages, so the above limitation may not apply to you. This warranty gives you specific legal rights, and you may also have other rights, which vary from state to state.

*Supersedes all previous publications.

Hayward Pool Products
620 Division Street
Elizabeth, NJ 07207



Product Registration

(Retain for Your Records)

Date of Installation _____

Initial Pressure Gauge Reading (Clean Filter) _____

Pump Model _____

Horsepower _____

Filter Model _____

Serial Number _____

▲ Retain this Warranty Certificate in a safe and convenient location for your records



DETACH HERE: Fill out bottom portion completely and mail within 10 days of purchase/installation or register online.

StarClear™ Plus Cartridge Filter

Warranty Card Registration

Register online at www.hayward.com

Please Print Clearly:

First Name _____ Last Name _____

Street Address _____

City _____ State _____ Zip _____

Phone Number _____ Purchase Date _____

E-Mail Address _____

Serial Number

--	--	--	--

Model Number _____

Pool Capacity _____ (U.S. Gallons)

If your product contains components that have individual serial numbers, it is not necessary to complete warranty registration for those individual components. Instead, complete warranty registration only for the overall product, using the serial number that is located on the outside of the product packaging.

Please include me on all e-mail communications regarding Hayward® Equipment or promotions.

Mail to: Hayward Pool Products, 620 Division Street, Elizabeth, NJ 07207

Attn: Warranty Dept

Or REGISTER YOUR WARRANTY ON-LINE AT WWW.HAYWARD.COM

Years Pool has been in service < 1 year 1-3 4-5 6-10 11-15 >15 Purchased from _____ Builder Retailer Pool Service Internet/Catalog Company Name _____ Address _____ City _____ State _____ Zip _____ Phone _____
Type of Pool: Concrete/Gunite Vinyl Fiberglass Other _____
New Installation Replacement
Installation for: In Ground Above Ground Spa



Hayward and StarClear Plus are registered trademarks of Hayward Industries, Inc.
© 2016 Hayward Industries, Inc.



StarClear™ Plus

Filtro de Cartucho

Manual del Usuario



Contenido

Advertencias Generales.....	10
Información General.....	12
Instalación y plomería	12
Inicie su Filtro.....	13
Durante el Invierno.....	14
Reemplazo de Partes.....	15
Garantía.....	15
Registro.....	16

Modelos: C751, C900, C1200, C17502

IMPORTANTES INSTRUCCIONES DE SEGURIDAD

Siempre debe seguir precauciones de seguridad básicas incluyendo las siguientes, no seguir las instrucciones podría causar lesiones y/o muerte.

- ▲ Símbolo de alerta. Cuando vea este símbolo es su equipo o manual, esté alerta de un potencial riesgo de lesión.
- ▲ **ADVERTENCIA** Ignorar el peligro por sobrecalentamiento podría causar graves lesiones en su persona y/o muerte y daños a su propiedad.
- ▲ **PRECAUSIÓN** Ignorar el peligro por sobrecalentamiento podría causar lesiones en su persona y/o daños a su propiedad, también le hace consciente de que puede haber acciones impredecible e inseguras.

La señal de AVISO indica que hay instrucciones importantes no relacionadas con peligro.

Hayward Pool Products
620 Division Street, Elizabeth, NJ 07207
Pone: (908)355-7995
www.hayward.com



▲ **ADVERTENCIA** Lea y siga las instrucciones de este manual y en su equipo, el no seguir las instrucciones podría causar lesiones heridas e incluso la muerte.

▲ **ADVERTENCIA** Peligro de quedar atrapado por succión.



Las salidas de succión y/o los convertidores de salida que se encuentren dañados, rotos, agrietados, mal asegurados o que falten podrían causar lesiones y/o la muerte por peligro de quedar atrapado por succión.

El Cabello se puede atorar .El cabello se puede enredar en las salidas de succión.



Brazos o piernas se pueden quedar atorados. Extremidades del cuerpo se pueden quedar atoradas en las salidas de succión dañadas, rotas agrietadas, mal aseguradas o que falten.



El Cuerpo se puede quedar atrapado por la succión. Una presión negativa aplicada a una larga porción del cuerpo o extremidades puede resultar en quedar atrapado.



Destripamiento. Una presión negativa aplicada directamente en los intestinos a través de un salida de succión que este dañada, rota, agrietada, mal asegurada o que falte podría resultar en un destripamiento.

Mecanismo atorado. Hay un riesgo potencial de que joyas, trajes de baño, adornos del cabello, dedos y nudillo queden atrapados en las salidas de succión.

▲ **ADVERTENCIA** Como reducir el peligro de quedar atrapado.

- Cuando las salidas de succión son suficientemente pequeñas para que una persona las bloquee, un mínimo de 2 salidas de succión deben ser instaladas. Las salidas de succión en el mismo plano (piso o pared) deben de ser instaladas a una distancia mínima de 1metro una de otra.
- Guarniciones de succión dual deben ser instaladas en puntos y lugares que eviten doble bloqueo por el usuario.
- Guarniciones de succión dual no se deben de instalar en las zonas para sentarse o recargar la espalda.
- La velocidad máxima del flujo del sistema en las salidas de sección no debe exceder los límites de la tabla1 *Nunca use su Alberca o Spa si alguno de los componentes de las salidas de succión están dañados, rotos, agrietados, mal asegurados o que falten.
- Remplace inmediatamente cualquier salida de succión que este dañada, rota, agrietada o mal asegurada.
- Además, dos o más salidas de succión por bomba se deben de instalar, de acuerdo a las últimas normas y estándares del ASME, APSP y a las directrices del CPSC siguiendo todos los códigos Nacionales, Estatales y Locales.
- Se recomienda instalar un sistema de ventilación o aspirado que de alivio al quedar atrapado por la succión.

▲ **ADVERTENCIA**- El no remover los enchufes de prueba de presión o los enchufes usados durante el invierno de su Spa o Alberca pueden incrementar el potencial riesgo de quedar atrapado como se describió anteriormente.

▲ **ADVERTENCIA** El no mantener las salidas de succión libre de basura como hojas, polvo, cabellos, papel y otros pueden incrementar el potencial riesgo de quedar atrapado como se describió anteriormente.

▲ **ADVERTENCIA** Los componentes de las salidas de succión tienen una duración limitada, y deben ser inspeccionados frecuente mente y remplazados cada siete años o antes si alguno de los componentes de las salidas de succión están dañados, rotos, agrietados, mal asegurados o que falten.

▲ **PRECAUSION** Los componentes como filtros del sistema, bombas y calentadores se deben colocar de manera tal que prevengan que los niños los usen para ayudarse a meterse a la alberca. Para reducir el riesgo de lastimarse no permita que los niños usen o se suban en este producto. Supervise a los niños en todo momento.

▲ **ADVERTENCIA Presión peligrosa**. El sistema de circulación de agua de las albercas y Spas opera a peligrosa presión durante el encendido, su normal operación y después de que la bomba se apaga .Durante el encendido de la bomba el sistema de circulación debe estar libre. Él no seguir las medidas de seguridad de operación puede resultar en una violenta separación de la bomba con las mangueras, sus tapas, filtros y abrazaderas debido a la presión del sistema, el cual puede causar daños en su propiedad, lesiones personales graves e incluso la muerte. Antes de hacer el servicio al sistema de circulación de agua de su Alberca o Spa todo el sistema y los controles de las bombas tienen que estar apagados y la válvula de alivio de aire debe estar en posición abierta. Antes de encender la bomba del sistema todas las válvulas del sistema deben de estar en posición que permita al agua regresar a la alberca. No cambie de posición el control del filtro cuando la bomba este trabajando. Antes de encender la bomba, abra completamente el filtro manual de la válvula de alivio de aire. No cierre el filtro manual de la válvula de aire hasta que la corriente de agua salga en forma estable (sin aire o aire y agua).



▲ **ADVERTENCIA Peligro de separación**. El no seguir las instrucciones de operación y seguridad podría resultar en una violenta separación de la bomba y /o los componentes del filtro. Las tapas de las coladeras se deben asegurar adecuadamente a las mangueras de la bomba con abrazaderas. Andes de dar mantenimiento al sistema de circulación de su Alberca o Spa, la válvula manual de alivio de aire debe estar abierta. No opere el sistema de circulación de su Alberca o Spa si alguno de sus componentes falta, está dañado o no esta ensamblado correctamente No opere es sistema de circulación de su Alberca o Spa hasta que la válvula manual de alivio de aire este cerrada y el cuerpo del filtro hacia arriba. **Nunca opera del sistema de circulación a más de 50 PSI. No purgue el sistema con aire comprimido**. Purgar el sistema con aire comprimido podría causar que el sistema explote, con el riesgo de lesiones graves o muerte de cualquier persona que esté cerca. . Use solamente un soplador de aire de menos de 5 PSI para purgar tuberías, bomba y filtro.





▲ **ADVERTENCIA** - Riesgo de choque eléctrico. Todo cableado eléctrico se deberá hacer conforme a los códigos (NEC) National Electric Code, y códigos y regulaciones locales. Voltaje peligroso puede causar choque eléctrico que puede causar lesiones graves o muerte y daños graves a su propiedad. Para reducir el riesgo de choque eléctrico no conecte su sistema con extensiones. Conecte a un contacto apropiadamente localizado. Antes de empezar a trabajar con cualquier equipo eléctrico asegúrese que su equipo este apagado. Para evitar el riesgo de choque eléctrico remplace inmediatamente cualquier cable dañado. Coloque las conexiones de manera tal que no sean dañadas por cortadores de pasto o equipo de jardinería. No las entierre junto a tubería de gas,

▲ **ADVERTENCIA** - Riesgo de choque eléctrico. El no conectar a tierra todo el equipo eléctrico podría causar serio o fatal peligro de choque eléctrico. Conecte a tierra todo equipo eléctrico antes de conectarlo a la fuente de poder.

▲ **ADVERTENCIA** - Riesgo de choque eléctrico. El no conectar todo el equipo eléctrico a la estructura de su Alberca o Spa podría aumentar el riesgo de ser electrocutado y podría resultar en lecciones o muerte. Para reducir este riesgo lea todas las instrucciones y consulte a electricista profesional con licencia para saber cómo conectar todo su equipo, y cumplir con códigos y regulaciones locales.

Notas para el electricista: Use conductor de cobre solido tamaño 8 o más grande. Corra un cable continuo de la conexión externa a la barra o malla reforzada. Conecte cable de cobre solido No 8 AWG (8.4 mm2) (No 6 AWG (13.3 mm2) para Canadá) al conector de presión proveído con el equipo eléctrico y a todas las partes de metal de su alberca o spa (excepto tubería de gas) y conduzca 1.5 m fuera de las paredes de la albercas o spa.

▲ **IMPORTANTE** - Tome como referencia los códigos, advertencias y estándares de la NEC para las el procedimiento de las conexiones.

▲ **ADVERTENCIA** - Riesgo de choque eléctrico. El equipo eléctrico solo se debe conectar a un interruptor de circuito conectado a tierra (GFCI) Este conector lo debe proveer el instalador y debe ser probado como parte de su rutina básica. Para probar el GFCI apriete el botón que dice " test " El GFCI debe interrumpir el poder. Apriete el botón "reset". El poder se debe restablecer. Si el GFCI no prende de esta manera es que esta defectuoso. Si el GFCI interrumpe el poder sin el uso del botón de "test" una corriente de tierra esta fluyendo, indicando la posibilidad de choque eléctrico. No use este equipo eléctrico. Haga que un representante calificado conecte su equipo antes de usarlo.

▲ **PRECAUSION**- Las bombas marca HAYWARD están hechas para ser instaladas en albercas permanentes, tinas calientes y Spas si así lo indica. No se usan para albercas desarmables o portátiles. Una alberca instalada en forma permanente está construida en la tierra o en el edificio y no se puede desarmar para almacenarla. Una alberca desarmable se construye de forma tal que se pueda almacenar y volver a armar.

▲ **ADVERTENCIA** - Riesgo de Hipertermia. Para evitar hipertermia " The U.S. Consumer Product Safety Commission" recomienda seguir algunas" reglas de seguridad"

1. La temperatura del agua en las Tinas calientes y Spas nunca debe exceder los 104º F (40º C). Una temperatura de 100º F (38º) se considera segura para un adulto saludable. Se sugiere cuidado especial en niños pequeños. Estar sumergido en agua caliente por tiempo prolongado podría causar hipertermia.
2. Tomar bebidas alcohólicas antes o durante el uso de tinas calientes o spas podría resultar en mareos que pueden causar perdida de la conciencia y podría ahogarse.
3. 3.¡ Mujer embarazada Cuidado! Sumergirse en agua caliente a mas de 100º F o 38º C en los primeros tres meses de embarazo podría ser de consecuencias fatales (resultando en daños al cerebro o deformidad del recién nacido). Las mujeres embarazadas se deben sujetar a la regla de un máximo de 100º F (38º C).
4. Antes de que el usuario entre a la tina caliente o spa se debe checar con un termómetro preciso la temperatura del agua, el termostato de la tina caliente tal vez varié la temperatura por unos 4ºF (2.2º C).
5. Personas que estén tomando medicamentos que puedan causar mareos como tranquilizantes, antistaminicos, anticoagulantes, no deben usar una tina caliente o spa.
6. Si la alberca o spa es usado como terapia deberá seguir los consejos de su terapeuta. Siempre remueva el agua de la alberca o spa antes de entrar en ella , para mezclar la capa de agua más caliente de la superficie que puede exceder la temperatura recomendable y así evitar posibles lesiones, no temple el agua con controles se podría quemar si los controles no están funcionando adecuadamente.
7. Personas con problemas del corazón, problemas circulatorios, diabetes o alta presión de ben consultar a su médico antes de usar tinas calientes o spas.
8. Hipertermia ocurre cuando la temperatura interna del cuerpo alcanza varios grados más de la temperatura normal del cuerpo que es de 98.6º F (37º C). Los síntomas de la hipertermia incluyen: somnolencia, mareo, aletargamiento, desmayo y un aumento de la temperatura interna del cuerpo.

Los efectos de la hipertermia incluyen:

1. Imposibilidad de prevenir el peligro.
2. No poder percibir el calor.
3. No poder reconocer la necesidad de salir del Spa.
4. No tener la habilidad física de salir del Spa.
5. Fatales daños a mujeres embarazadas.
6. Perder la conciencia y poder ahogarse.

GUARDE ESTAS INSTRUCCIONES

! INSTALADOR ATENCÓN! : ESTE MANUAL CONTIENE INPORTANTE INFORMACÓN DE OPERACÓN PARA EL USO SEGURO DE ESTE EQUIPO, ESTE MANUAL FUE HECHO PARA EL USUARIO DE ESTE PRODUCTO.

INFORMACIÓN GENERAL

Su filtro para alberca Hayward StarClear™ es un filtro de alto rendimiento con un alcance de filtrado residencial de 4,500 galones (17kl) por hora (C751), 5,400 galones (20.5 kl) por hora (C900) o 7,200 galones (27.3 kl) por hora (C1200 y C17502).

Su Filtro fue fabricado con materiales durables resistentes a la corrosión, diseñado para funcionar en forma continua o intermitente, en instalaciones por encima o por debajo del nivel del agua, en albercas o spas de agua fresca o salada. Los filtros StarClear Plus utilizan un cartucho de poliéster reforzado reusable que provee un alto grado de claridad a su agua con un mínimo de cuidados. Con un diseño único que permite quitar y cambiar los filtros sin necesidad de herramientas. Simplemente gire el tapón con rosca, levante la tapa del filtro y retire el cartucho, así de fácil.

LOCACIÓN Y SELECCIÓN DE LA BOMBA

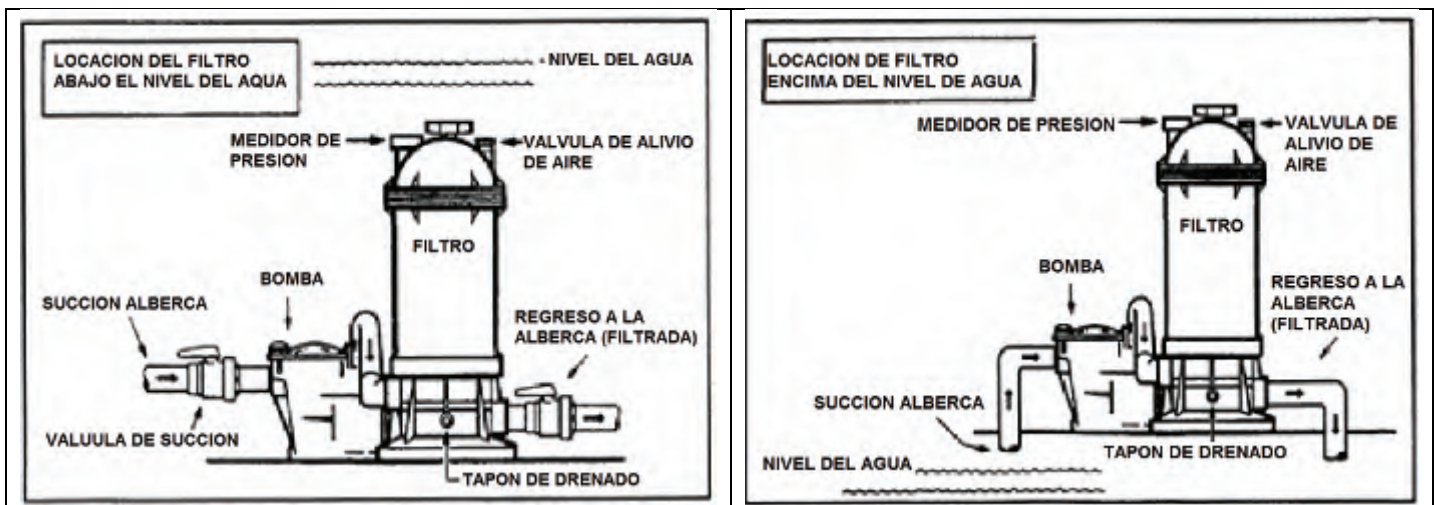
Para encender su filtro StarClear Plus, seleccione una bomba de uso continuo diseñada para spas o albercas.

Es importante que primero determine donde se va a instalar el filtro y bomba, si se va a instalar por encima del nivel de agua una bomba de auto cebado debe ser instalada. Las bombas de auto cebado Hayward como lo son; Super Pump®, Super II™ o TriStar™ tienen la habilidad de levantar agua desde lo más profundo y cebarse automáticamente.

Seleccione una bomba adecuada para su alberca. Tome en cuenta el tipo de alimentadores y auto limpiadores que tiene, pérdidas en el sistema y tasas de rotación. En un centro autorizado le pueden ayudar a seleccionar el tamaño de la bomba para su sistema.

LOCACIÓN DEL FILTRO

1. Puesto que los accesorios de plomería ofrecen una resistencia al flujo del agua, posicione los filtros tan cerca de su alberca como los códigos locales lo permitan. Mantenga el número de accesorios al mínimo. Seleccione un área con buen drenaje, que no se inunde cuando llueva.
2. Coloque el filtro en un área a nivel y sólida. Con una altura libre mínima de 19" (483mm) para el filtro C751 y el filtro C900, 25" (635mm), para el filtro C1200 y 30" (762 mm) para el filtro C17502. Asegúrese que el filtro, bomba, drenaje e indicadores de presión estén en una posición accesible y conveniente para el operador. **(Por favor vea la tabla en la siguiente página)**
3. Coloque el filtro de manera que pueda drenar por gravedad.
4. Si es práctico coloque la bomba y filtro donde le de sombra para evitar el continuo calor del sol.



PLOMERÍA

1. Utilice tubería de 1½" o 2". Si va a hacer una conexión permanente, asegúrese de poner uniones para facilitar el servicio.
2. Refiérase en los diagramas de arriba donde se sugiere el lugar para las válvulas. Válvulas de bola se recomiendan cuando se necesitan. Ya que los sistemas varían, la consideración principal es proveer el nivel de flujo de agua deseado desde la alberca hacia la bomba y el filtro, y de regreso a la alberca. Cuando el filtro se localiza debajo del nivel del agua, coloque válvulas que prevengan que el agua regrese al filtro durante la limpieza o el servicio de rutina.
3. La plomería en su filtro StarClear Plus es de 1½" o 2" N.P.T. o con socket (soldado) Cuando haga las conexiones utilice adaptadores de plástico. Aplique tres vueltas de cinta Teflón (o utilice un sellador para tubería de plástico) en las conexiones macho. Atornille el alimentador dentro de la rosca y apriete a mano; después con una llave apriete una vuelta completa más. Apretar de más es innecesario y podría causar daños y romper su filtro.
4. Conecte la tubería de succión de la alberca entre el colador, la salida de la alberca, etc. y la bomba.
5. Instale la tubería de regreso de la alberca.
6. Si una válvula de presión no está instalada, aplique tres vueltas de cinta teflón en la rosca del medidor y con cuidado atornille al medidor en orificio roscado en la parte superior del filtro.
7. Un tapón de drenaje del filtro se suministra con cada filtro y es todo lo que se necesita para completar que el filtro drene.
8. Todas las conexiones eléctricas se deben hacer de acuerdo a los códigos locales.
9. Revise que el sistema no tenga fugas antes de operarlo.
10. Consulte el manual de la bomba para información de la bomba.



EMPIEZE EL FILTRADO

Asegúrese que el tapón del drenaje esté instalado y cerrado. Abra a mano unas vueltas la válvula de alivio de aire y abra la válvula de succión y regreso (cuando se use).

▲ PRECAUSION: Todas las válvulas de succión y descarga deben estar abiertas cuando se prenda el sistema.

El no hacerlo podría causar severos daños personales y/o a la propiedad. Este seguro que la llave de paso esté segura (apriete a mano solo se requiere poca presión).

Aléjese del Filtro. Cebat y prender la bomba, siga el manual de instrucciones del fabricante. El aire atrapado en el sistema automáticamente se irá a la alberca y a la válvula de alivio de aire. Cierre las válvulas de alivio de aire tan pronto el aire salga, como lo indica el flujo del agua.

FILTROS

La filtración comienza tan pronto el agua fluye por los filtros. Los cartuchos de los filtros remueven polvo y basura del agua de la alberca, la mugre acumulada causa una resistencia al flujo del agua. Como resultado, el indicador de presión indicara un aumento y la presión disminuirá. Cuando la presión alcanza de 7-10psi (.49-.70 Bar) más de la presión inicial o cuando la el flujo del agua decrece mas de lo deseado, limpie o reemplace los cartuchos de su filtro.

CAMBIAR /LIMPIAR CARTUCHOS COMO QUITAR LOS CARTUCHOS

1. Apague la bomba
2. Si el filtro se encuentra por debajo del nivel del agua cierre la válvula o bloquee la línea de succión y descarga para reventir regrese de la alberca.
3. Quite el tapón del desagüe y permita que el agua drene del filtro. Ponga el tapón otra vez. (Para ayudar a que el sistema drene, abra la ventilas de aire unas vueltas)
4. Desatornille y remueva el tapa con rosca (en dirección contraria a las manecillas del reloj) y con cuidado levante la tapa superior para tener acceso al cartucho del filtro.
5. Levante el cartucho y límpielo. O, replácelo por uno limpio o de repuesto (Vea como limpiar el cartucho)

REINSTALAR EL CARTUCHO

1. Limpie y retire la basura que se encuentre debajo del filtro.
2. Con cuidado reemplace el cartucho dentro del filtro sobre el tirante con rosca, asegúrese que el cartucho asiente bien sobre el colector en el fondo del filtro.
3. Ponga la tapa del filtro (asegúrese que el empaque circular este limpio y en su lugar). Coloque la parte superior del tirante con rosca en el agujero del centro.
4. Coloque el tapón del filtro apretando a mano en sentido de las manecillas del reloj.
5. Proceda como en **ENPIEZE EL FILTRADO**

LIMPIAR EL CARTUCHO

El cartucho de su filtro se puede limpiar por dentro y fuera a chorro de agua de manguera. (El cartucho es mas fácil de limpiar cuando está seco.) Después de mojarlo con la manguera, para mejores resultados, permita que el cartucho se seque y con cuidado cepille las áreas plisadas y remueva las partículas pequeñas. **No lo lave con agua a presión podría dañar el cartucho.**

Algas, aceites y bronceadores pueden formar una capa en el cartucho que tal vez no se pueda quitar completamente con agua de la manguera. Para remover estos residuos remoje el cartucho de su filtro en el líquido limpiador de cartuchos (puede encontrar diferentes marcas con su distribuidor).Siga las instrucciones del fabricante para su uso, ponga mucha atención a las advertencias en estos productos. Enjuague el cartucho antes de reinstalarlo en el filtro.

Un cartucho de repuesto es una excelente inversión. Es muy conveniente y le asegura que su filtro siempre estará listo para trabajar a su máxima eficiencia.

La ingeniería y diseño de los cartuchos Hayward fue diseñada especialmente para los filtros StarClear Plus. Para mejores resultados, utilice solamente cartuchos StarClear en su filtro. Ordene Modelo No. CX760RE, CX1200RE, CX1750RE, de su distribuidor autorizado. El nombre Hayward es su garantía de calidad.

ASPIRADO

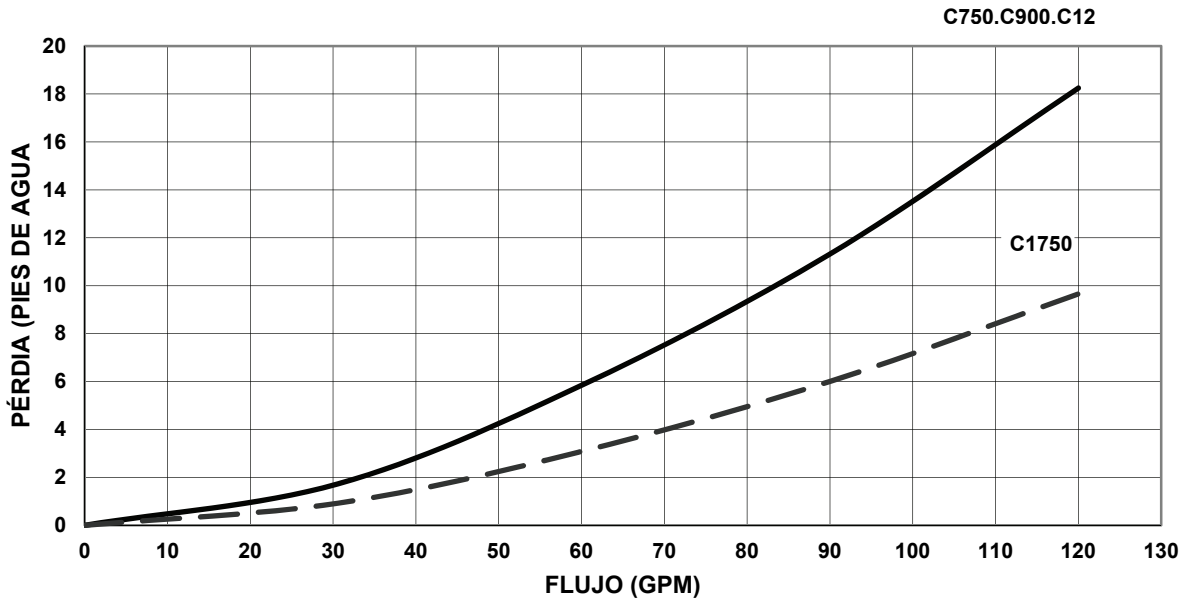
Cuando lo necesite puede aspirar directamente dentro del filtro. Se requiere un cartucho limpio después de aspirar.

	ESPACIO REQUERIDO			
	LADOS		ARRIBA	
	IN	CM	IN	CM
C751	18	46	19	48
C900	18	46	19	48
C1200(2) (S)	18	46	25	64
C17502(S)	18	46	30	76

DURANTE EL INVIERNO (FILTRO)

En lugares donde se esperan temperaturas bajo el punto de congelación, el filtro se debe drenar completamente y/o removerlo del lugar donde opera, y se debe almacenar en un lugar cerrado y con techo. Remueva y limpie el cartucho. Reinstale el cartucho en el tanque del filtro. Apriete el tapón solo unas vueltas cuando este almacenado.

CURVA DE PÉEDIDA STARCLEAR PLUS



LISTA DE SOLUCION DE PROBLEMAS

	BAJO FLUJO DE AGUA	CICLOS CORTOS DEL FILTRO	EL AGUA DE LA ALBERCA NO SE ACLARA
REMEDIO	Cheque que la bomba y la coladera estén libres de basura	Cheque si tiene algas en su alberca y de tratamiento si es necesario	Cheque los niveles de cloro, pH y alcalinidad y ajuste si se requiere.
	Cheque que no haya restricciones en la línea de entrada y salida	Asegúrese que el pH y el cloro estén dentro del rango (ajuste si es necesario)	Asegúrese que el flujo de agua sea el suficiente.
	Cheque que haya fugas de aire en la línea de entrada (se ve si burbujas regresan a la alberca)		Opere el filtro por periodos más largos.
	Limpie los cartuchos (Vea página 5)		

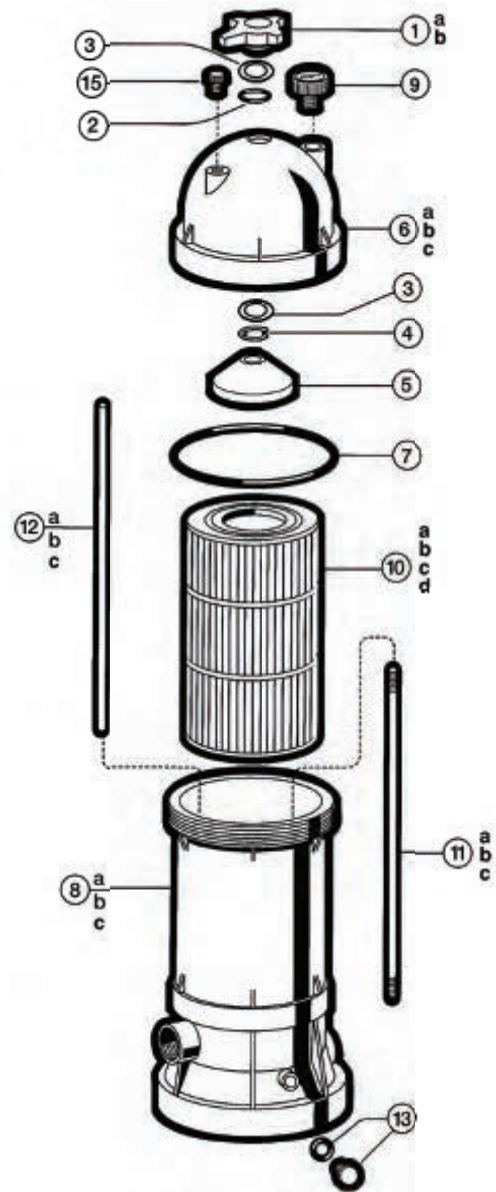
NIVELES SUGERIDOS EN LOS QUIMICOS	
pH	De 7.2 a 7.8
ALKALINIDAD TOTAL	De 80 a 120 ppm
DUREZA DEL CALCIO	De 200 a 400ppm
CLORO COMBINADO	0.2ppm Máximo
CLORO (ESTABILIZADO)	De 1.0 a 3.0ppm
ESTABILIZADOR DE CLORO (Ácido Cianúrico)	De 60 a 80 ppm

MODELO	AREA EFECTIVA DE FILTRACION		TASA DE FLUJO RESIDENCIAL	
	FT ²	M ²	GPM	LPM
C751	75	7.0	75	284
C900	90	8.4	90	341
C1200(2)(S)	120	11.1	120	454
C1750(2)(S)	175	16.3	120	454
Máxima Presión para todos los Modelos 50PSI, (3.45Bar)				

PARTES

Filtros, Modelos: C751, C900, C1200(2)(S), C17502(S)

REF No	No de Parte	DESCRIPCIÓN	No Parte Req'd
1a	CX900G	Tapa	1
1b	CX1750G	Tapa	1
2	CX900H	Empaque (o-ring)	1
3	CX900W	Rondana	2
4	CX900J	Rondana de presión (E-Ring)	1
5	CX900D	Cono guía	1
6a	CX900B	Cabeza del filtro c/ventila direccional	1
6b	CX1200B	Cabeza del filtro c/ventila direccional	1
6c	CX1750B	Cabeza del filtro c/ventila direccional	1
7	CX900F	Empaque de la cabeza del Filtro	1
8a	CX900AA	Cuerpo del Filtro-C751, C900	1
8b	CX120AA	Cuerpo del Filtro-C1200	1
8c	CX1750AA2	Cuerpo del Filtro-C17502	1
9	ECX2712B1	Medidor de presión	1
10a	CX760RE	Cartucho (C751)	1
10b	CX900RE	Cartucho (C900)	1
10c	CX1200RE	Cartucho (C1200)	1
10d	CX1750RE	Cartucho (C17502)	1
11a	CX800Z2	Tirante con Rosca (C900)	1
11b	CX1100Z2	Tirante con Rosca (C1200)	1
11c	CX1750Z2	Tirante con Rosca (C17502)	1
12a	CX800Z4	Tubo de Alivio de aire (C900)	1
12b	CX1100Z4	Tubo de Alivio de aire (C1200)	1
12c	CX1750Z4	Tubo de Alivio de aire (C17502)	1
13	CX250Z14A	Tapón para drenar de 1/2" con empaque	1
14	CX900K	Socket conector de PVC de 2" (No está en el diagrama)	2
15	ECX1322A	Válvula de ventilación direccional c/empaque	1


HAYWARD® Pool Productos Garantía Limitada.

A los compradores originales de este equipo, Hayward Pool Productos, Inc. Garantiza que sus filtros carecen de defectos en los materiales y en la mano de obra durante un periodo de un año (1) a partir de la fecha de compra , para el uso residencial de una sola familia.

La garantía limitada excluye daños por congelación, negligencia, instalación inadecuada, uso o cuidados inadecuados, o cualquier Acto de Dios. Las partes que fallen o que se vuelvan defectuosas durante el periodo de la garantía, serán reparadas o remplazadas a opción nuestra, sin cargo alguno en los siguientes 90 días después de recibir el producto defectuoso, salvo demoras imprevistas.

Se requiere el comprobante de compra para obtener la garantía de servicio. En el caso que no tenga el recibo de compra, la fecha de fabricación del producto será la que determine la fecha de compra.

Para obtener la garantía de servicio, por favor contacte el lugar de compra o el Centro de Servicio Autorizado Hayward mas cercano. Para asistencia sobre su Centro de Servicio Autorizado Hayward mas cercano visítenos en www.hayward.com.

Hayward no se hará responsable de los costos de transporte, del costo de mano de obra necesaria para la remoción y /o reinstalación, ni de ningún otro costo de este tipo incurridos para obtener los repuestos bajo garantía.

La garantía de Hayward Pool Productos no se aplica a los componentes fabricados por otras compañías. Para dichos productos, se aplicará la garantía establecida por los fabricantes respectivos.

La garantía limitada expés descrita anteriormente, constituye la garantía completa de Hayward Pool Productos con respecto a sus productos para albercas y será en vez de cualquier otra garantía expresada o implícita incluyendo garantías de comerciabilidad o conveniencia para algún propósito en particular. En ningún caso Hayward Pool Productos será responsable por cualquier consecuencia especial por accidente o daños naturales.

Algunos estados no permiten que se pongan límites en la duración de la garantía implícita, o que se excluyan o limiten los daños incidentales o consecuentes; por lo tanto, es posible que la limitación o exclusión antes mencionada no corresponda en su caso. Esta garantía le da derechos legales específicos y Usted también podría tener otros derechos, los cuales varían de un estado a otro.

Hayward Pool Products
620 Division Street
Elizabeth, NJ 07207

* Esta garantía remplace todas las publicaciones anteriores.



Registro de su producto
(Guarde para sus récords)

Fecha de Instalación _____

Lectura Inicial del medidor de presión _____

Modelo de Bomba _____ Caballos de Fuerza _____

Modelo de Filtro _____ Número de serie _____

Guarde este Certificado de Garantía para sus records en un lugar seguro y conveniente.

**SwimClear™ Plus
Cartridge Filter**

Tarjeta de registro de la garantía
Regístrese por Internet en www.hayward.com

Por favor, escriba claramente con letra de molde:

Nombre _____ Apellido _____

Dirección _____

Ciudad _____ Estado _____ Código postal _____

Número de teléfono: _____ Fecha de compra: _____

Dirección de su correo electrónico _____

Número de serie del producto

(Número de 10 a 17 dígitos)

--	--	--	--	--	--	--	--	--	--	--	--	--	--	--	--	--	--	--	--

Número de modelo: _____

Envíe a: Hayward Pool Products, 620 Division Street, Elizabeth, NJ 07207 Attn: Warranty Dept.



Hayward and StarClear Plus are registered trademarks of Hayward Industries, Inc.
© 2016 Hayward Industries, Inc.